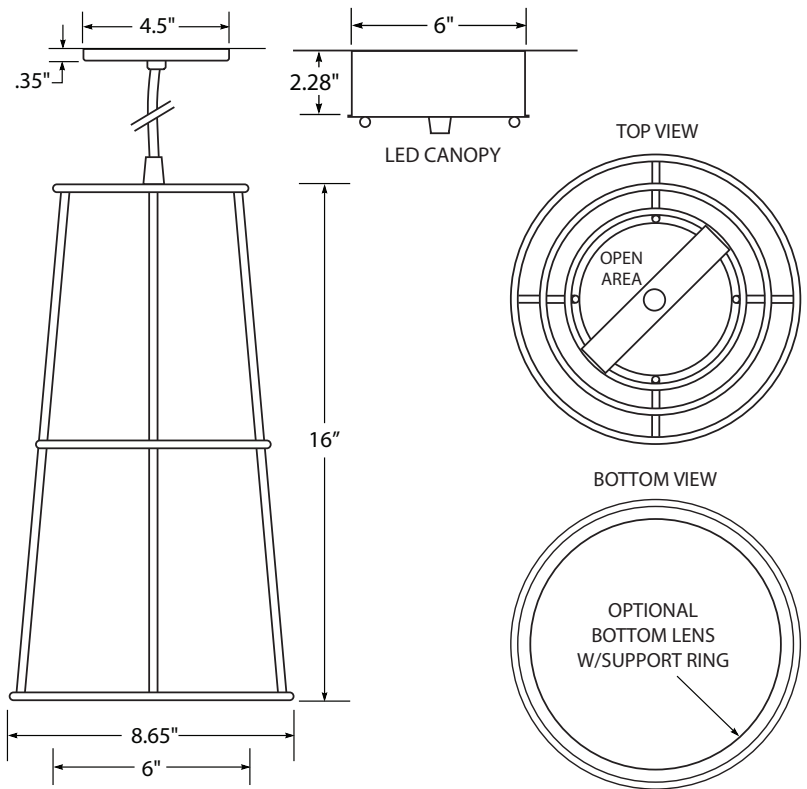


Cone 16" Pendant P316

Design modifications are always welcome.



- Welded steel
 - LUMENATE® washable diffuser
 - 6' black or white cord
 - Canopy finished to match frame
 - Mounts to standard J-box
 - Suitable for damp locations
- weight: 3 lbs
 US LISTED
 MADE IN USA



P316					
CORD COLOR	FINISH	DIFFUSER	LAMPING	VOLTAGE	
<input type="checkbox"/> Black <input type="checkbox"/> White	F2 Chrome F3 Black F4 Earth F5 Copper F6 Brass F7 Bronze F8 Steel F10 Hammered Copper F11 White	Select from any of our LUMENATE® Diffuser options.	L411 - LED 2140 Initial Lumens 21W 3000K Dimming: 0-10V 1% UNV or 120V Phase Please contact customer service for component specifications including additional color temperatures. Lamps not included: CFL 1/32W TBX-GX24Q-3 INC 1/ Med. Base	120V 277V 347V CFL Only	

+ OPTIONS

SUSPENSION OPTIONS

- STM** - Field Cuttable Ball Swivel Stem with 1.78" deep canopy. Specify length in 1' increments.
- CXX** - Cord Extra (Specify length)
- CXS** - Cord Braided Silver
- A100** - Wall Mount Arc 10"
- A200** - Wall Mount Arc 34"
- B200** - Wall Mount Linear 18"

CANOPY OPTIONS

- CAC** - Canopy Alternative Color
 - CF6** - Flair Canopy 6" Dia
 - CF105** - Flair Canopy 10.5" Dia.
 - C66** - Square Canopy 6"
 - C1010** - Square Canopy 10"
 - CLUSTER CANOPIES** - See website for a variety of sizes and options. Specify arrangement and heights.
- NOTE: All canopy options for LED requires a custom 2.28" height.

LENS OPTIONS

- LTW1** - Top Lens White Acrylic
- LTC1** - Top Lens Clear Acrylic
- LTY1** - Top Lens Metal Perf.
- LOT1** - Top Lens Opaque
- LBW2** - Bottom Lens Etched White Acrylic
- LBY2** - Bottom Lens Metal Perf.
- LBA2** - Applied LUMENATE® Bottom Lens

LED OPTIONS

- EMR** - Remote Emergency Battery Backup
- CFL BALLAST OPTIONS**
- BDLR** - Dimming Ballast Lutron Remote
- BDAR** - Dimming Ballast Advance Remote Ballast in canopy. Max 3' drop. May require Stem.
- BER** - Emergency Ballast Remote

Project Name	Specifier Name & Location	Quantity
<input type="text"/>	<input type="text"/>	<input type="text"/>



Notes

Lumetta Inc., 33 Minnesota Ave., Warwick, RI 02888 t 401-691-3994 f 401-921-1310 www.lumetta.com

This design is the intellectual property of Lumetta, Inc. All rights reserved. Specifications are subject to change without notice.