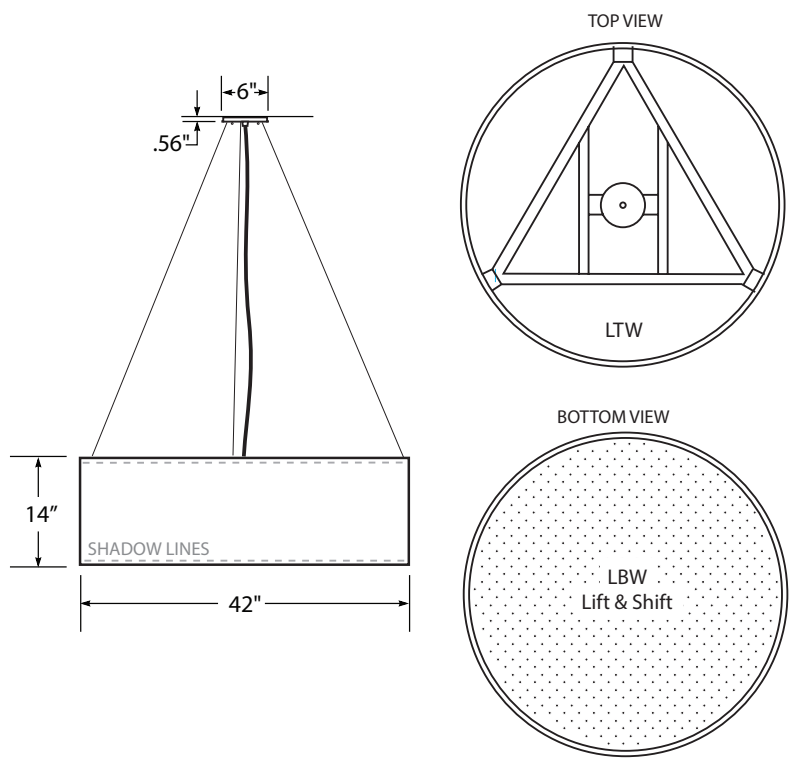


# Drum 42" Pendant P54214

Design modifications are always welcome.



- Welded steel / aluminum
- LUMENATE® washable diffuser
- LBW etched white acrylic bottom lens
- LTW white acrylic top lens
- 6' black or white cord
- Three suspension cables
- Canopy finished to match frame
- Mounts to standard J-box
- Suitable for damp locations

weight: 26 lbs  
 US LISTED  
 MADE IN USA

<b>P54214</b>					
<b>CORD COLOR</b>	<b>FINISH</b>	<b>DIFFUSER</b>	<b>LAMPING</b>	<b>CFL VOLTAGE</b>	
<input type="checkbox"/> Black <input type="checkbox"/> White	F2 Chrome F3 Black F4 Earth F5 Copper F6 Brass F7 Bronze F8 Steel F10 Hammered Copper F11 White	Select from any of our <b>LUMENATE®</b> Diffuser options.	L413 - LED 6420 Initial Lumens 63 W L414 - LED 12,840 Initial Lumens 126 W 3000K Dimming: 0-10V 1% UNV or 120V Phase  Please contact customer service for component specifications including additional color temperatures.  Lamps not included: CFL - 4/32W TBX-GX24Q-3 INC - 3/Med. Base	120V 277V 347V CFL Only	

## + OPTIONS

### SUSPENSION OPTIONS

**STM** - Field Cuttable Ball Swivel Stem with 1.78" deep canopy. Specify length in 1' increments.

**CXX3** - Cord Extra (Specify length)

**CXS3** - Cord Braided Silver (not LED)

### CANOPY OPTIONS

**CAC** - Canopy Alternative Color

**CF105** - Flair Canopy 10.5" Dia.

**C66** - Square Canopy 6"

**C1010** - Square Canopy 10"

**CLUSTER CANOPIES** - See website for a variety of sizes and options. Specify arrangement and heights.

### LENS OPTIONS

**LTC5** - Top Lens Clear Acrylic

**LTY5** - Top Lens Metal Perf.

**LTO5** - Top Lens Opaque

**LBYS** - Bottom Lens Metal Perf.

**LBA5** - Applied LUMENATE® Bottom Lens

### LED OPTIONS

**EMR** - Remote Emergency Battery Backup Requires Stem or 2 Power Cords

### CFL BALLAST OPTIONS

**BDLI** - Dimming Ballast Lutron Internal

**BDAI** - Dimming Ballast Advance Internal

**BEI** - Emergency Ballast Internal

Project Name	Specifier Name & Location	Quantity
<input type="text"/>	<input type="text"/>	<input type="text"/>



Notes

Lumetta Inc., 33 Minnesota Ave., Warwick, RI 02888 t 401-691-3994 f 401-921-1310 [www.lumetta.com](http://www.lumetta.com)

This design is the intellectual property of Lumetta, Inc. All rights reserved. Specifications are subject to change without notice.