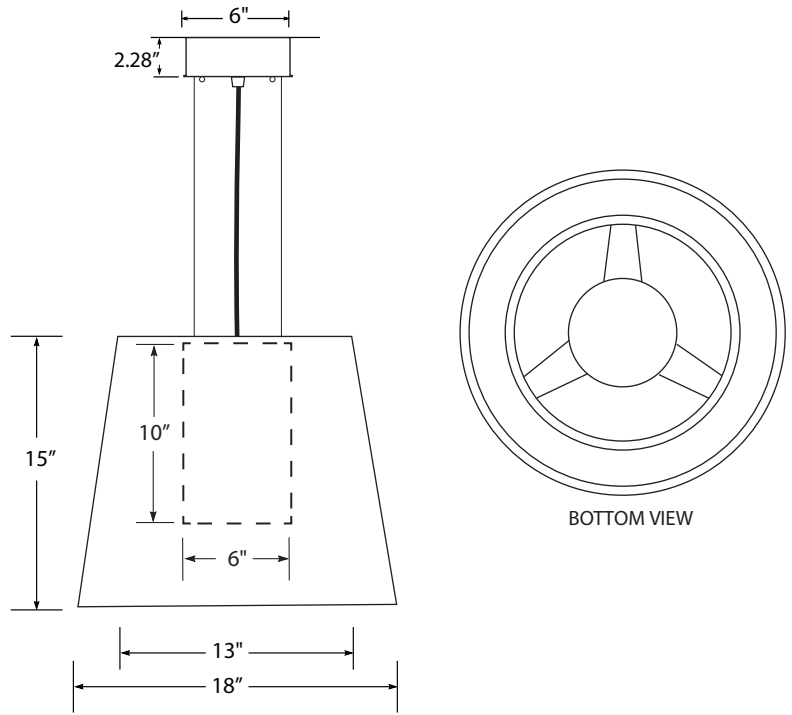


Taper 18" L2 Pendant PT1815L2

Design modifications are always welcome.



- Welded Steel/Aluminum/Acrylic Weight: 6 lbs
- Two Shades
- White Lamp Enclosure
- 6' Black or White Cord
- Two Suspension Cables
- Canopy finished to match frame
- Mounts to standard J-box
- Suitable for damp locations

UL US LISTED
MADE IN USA

PT1815L2		outer	inner			
CORD COLOR	FINISH	SHADES		LAMPING		
<input type="checkbox"/> Black <input type="checkbox"/> White	F2 Chrome F3 Black F4 Earth F5 Copper F6 Brass F7 Bronze F8 Steel F10 Hammered Copper F11 White	View L2 Lumenate® Shade Choices Select an inner shade and an outer shade. Keep in mind that the outer shade layer is opaque to enhance the inner color and/or graphics.		L411 - LED 1127 Delivered Lumens 21W 3000K Dimming: 0-10V 1% UNV or 120V Phase Please contact customer service for component specifications, including additional color temperatures.		
				INC 1/Med. Base	VOLTAGE 120V 277V	

+ OPTIONS

SUSPENSION OPTIONS

STM - Field Cuttable Ball Swivel Stem with 1.78" deep canopy.
Specify length in 1' increments.

CXX2 - Cord Extra (*Specify length*)

CXS2 - Cord Braided Silver

A200 - Wall Mount Arc 34"

B200 - Wall Mount Linear 18"

CANOPY OPTIONS

CAC - Canopy Alternative Color

CF105 - Flair Canopy 10.5" Dia.

C66 - Square Canopy 6"

C1010 - Square Canopy 10"

CLUSTER CANOPIES - See website for a variety of sizes and options.
Specify arrangement and heights.

NOTE: All canopy options for LED requires a custom 2.28" height.

LED OPTIONS

EMR - Remote Emergency Battery Backup
Requires Stem or 2 Power Cords

Project Name

Specifier Name & Location

Quantity

Notes



Lumetta Inc., 33 Minnesota Ave., Warwick, RI 02888 t 401-691-3994 f 401-921-1310 www.lumetta.com

This design is the intellectual property of Lumetta, Inc. All rights reserved. Specifications are subject to change without notice.