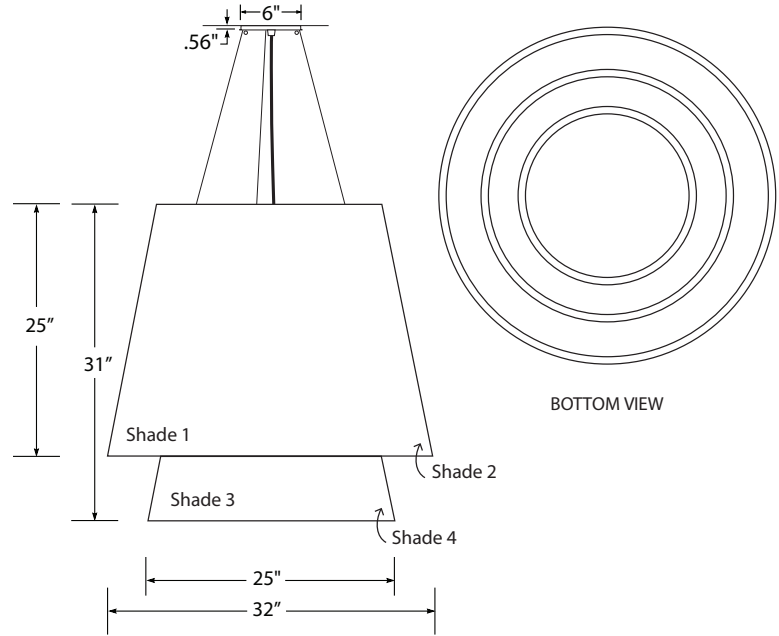


Taper Nested L2 32" Pendant PTN3231L2

Design modifications are always welcome.



- Welded Steel/Aluminum/Acrylic Weight: 18 lbs
- Four Shade Surfaces
- 6' Black or White Cord
- Three suspension cables
- Canopy finished to match frame
- Mounts to standard J-box
- Suitable for damp locations

US LISTED
MADE IN USA

PTN3231L2		shade 1 shade 2 shade 3 shade 4				LAMPING	
CORD COLOR		FINISH				LAMPING	
<input type="checkbox"/> Black	<input type="checkbox"/> White	F2 Chrome F3 Black F4 Earth F5 Copper F6 Brass F7 Bronze F8 Steel F10 Hammered Copper F11 White				L411 - LED 1210 Delivered Lumens 21W 3000K Dimming: 0-10V 1% UNV or 120V Phase Please contact customer service for component specifications, including additional color temperatures.	
SHADES							
View L2 Lumenate® Shade Choices Select four opaque shades. Keep in mind that the outer shade layers are opaque to enhance inner colors and/or graphics.							

+ OPTIONS

SUSPENSION OPTIONS

STM - Field Cuttable Ball Swivel Stem with 1.78" deep canopy.
Specify length in 1' increments.

CXX3 - Cord Extra (Specify length)

CXS3 - Cord Braided Silver (not LED)

A200 - Wall Mount Arc 34"

CANOPY OPTIONS

CAC - Canopy Alternative Color

CF105 - Flair Canopy 10.5" Dia.

C66 - Square Canopy 6"

C1010 - Square Canopy 10"

CLUSTER CANOPIES - See website

for a variety of sizes and options.

Specify arrangement and heights.

LED OPTIONS

EMR - Remote Emergency Battery Backup

Requires Stem or 2 Power Cords

Project Name	Specifier Name & Location	Quantity
<input type="text"/>	<input type="text"/>	<input type="text"/>



Notes

Lumetta Inc., 33 Minnesota Ave., Warwick, RI 02888 t 401-691-3994 f 401-921-1310 www.lumetta.com

This design is the intellectual property of Lumetta, Inc. All rights reserved. Specifications are subject to change without notice.