

# Cube 2Stem Pendant P771412R

Design modifications are always welcome.

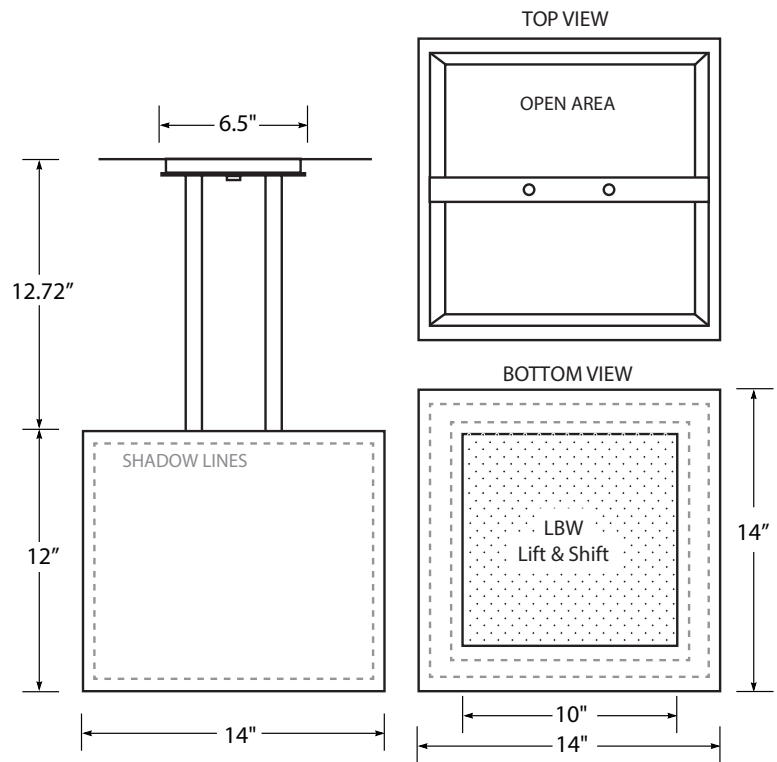


- Welded steel
- LUMENATE® washable diffuser
- LBW etched white acrylic bottom lens
- Two square 12" stems
- Canopy finished to match frame
- Mounts to standard J-box
- Suitable for damp locations

weight: 11 lbs



MADE IN USA



P771412R

### FINISH

- F2 Chrome
- F3 Black
- F4 Earth
- F5 Copper
- F6 Brass
- F7 Bronze
- F8 Steel
- F10 Hammered Copper
- F11 White

### DIFFUSER

Select from any of our **LUMENATE®** Diffuser options.

### LAMPING

L412 - LED 4280 Initial Lumens 42 W  
3000K Dimming: 0-10V 1% UNV or 120V Phase

*Please contact customer service for component specifications including additional color temperatures.*

*Lamps not included:*  
CFL 2/32W TBX-GX24Q-3  
INC 1/ Med. Base

### VOLTAGE

- 120V
- 277V
- 347V *CFL Only*

## + OPTIONS

### SUSPENSION OPTIONS

**STM** - Stem Length  
*Specify length & color*

### LENS OPTIONS

**LBAS** - Applied LUMENATE®  
Bottom Lens

### LED OPTIONS

**EMR** - Remote Emergency Battery Backup  
*Requires Stem or 2 Power Cords*

### CFL BALLAST OPTIONS

- BDLI** - Dimming Ballast  
Lutron Internal
- BDAI** - Dimming Ballast  
Advance Internal
- BER** - Emergency Ballast Remote

Project Name

Specifier Name & Location

Quantity

Notes



Lumetta Inc., 33 Minnesota Ave., Warwick, RI 02888 t 401-691-3994 f 401-921-1310 [www.lumetta.com](http://www.lumetta.com)

This design is the intellectual property of Lumetta, Inc. All rights reserved. Specifications are subject to change without notice.