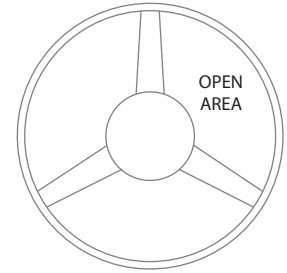
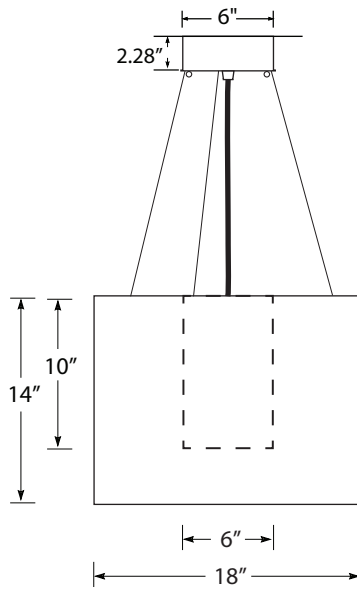


# Drum L2 18" Pendant P51814L2



BOTTOM VIEW

- Welded Steel/Aluminum/Acrylic
  - Two Shades
  - White Lamp Enclosure
  - 6' Black or White Cord
  - Three Suspension Cables
  - Canopy finished to match frame
  - Mounts to standard J-box
  - Suitable for damp locations
- Weight: 6 lbs

US LISTED  
MADE IN USA

<b>P51814L2</b>		outer	inner		
<b>CORD COLOR</b>	<b>FINISH</b>	<b>SHADES</b>		<b>LAMPING</b>	
<input type="checkbox"/> Black	F2 Chrome F3 Black F4 Earth F5 Copper F6 Brass F7 Bronze F8 Steel F10 Hammered Copper F11 White	<a href="#">View L2 Lumenate® Shade Choices</a> Select an inner shade and an outer shade. Keep in mind that the outer shade layer is opaque to enhance the inner color and/or graphics.		L411 - LED 1177 Delivered Lumens 21W 3000K Dimming: 0-10V 1% UNV or 120V Phase	
<input type="checkbox"/> White				<i>Please contact customer service for component specifications, including additional color temperatures.</i>	

## + OPTIONS

### SUSPENSION OPTIONS

**STM** - Field Cuttable Ball Swivel Stem with 1.78" deep canopy.  
*Specify length in 1' increments.*

**CXX3** - Cord Extra (*Specify length*)

**CXS3** - Cord Braided Silver

**A200** - Wall Mount Arc 34"

**B200** - Wall Mount Linear 18"

### CANOPY OPTIONS

**CAC** - Canopy Alternative Color

**CF105** - Flair Canopy 10.5" Dia.

**C66** - Square Canopy 6"

**C1010** - Square Canopy 10"

**CLUSTER CANOPIES** - See website for a variety of sizes and options. *Specify arrangement and heights.*

*NOTE: All canopy options for LED requires a custom 2.28" height.*

### LED OPTIONS

**EMR** - Remote Emergency Battery Backup  
*Requires Stem or 2 Power Cords*

Project Name

Specifier Name & Location

Quantity

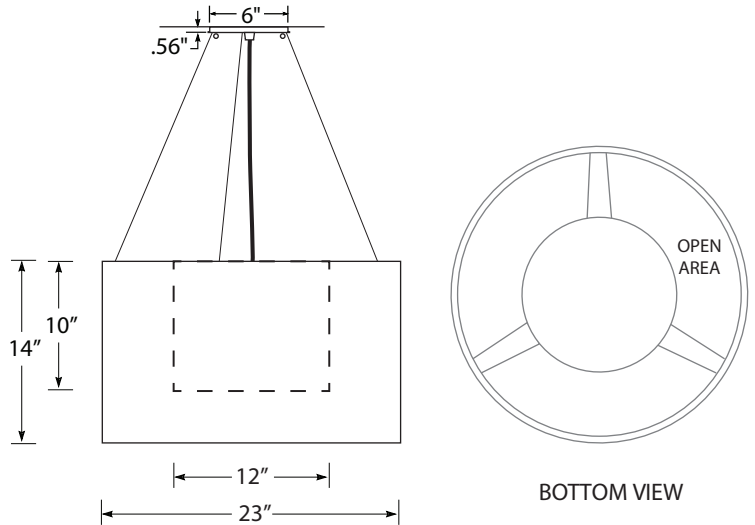
Notes



Lumetta Inc., 33 Minnesota Ave., Warwick, RI 02888 t 401-691-3994 f 401-921-1310 [www.lumetta.com](http://www.lumetta.com)

This design is the intellectual property of Lumetta, Inc. All rights reserved. Specifications are subject to change without notice.

# Drum L2 23" Pendant P52314L2



- Welded Steel/Aluminum/Acrylic Weight: 10.5 lbs
- Two Shades
- White Lamp Enclosure
- 6' Black or White Cord
- Three Suspension Cables
- Canopy finished to match frame
- Mounts to standard J-box
- Suitable for damp locations

 US LISTED  
MADE IN USA

<b>P52314L2</b>		outer	inner		
<b>CORD COLOR</b>	<b>FINISH</b>	<b>SHADES</b>		<b>LAMPING</b>	
<input type="checkbox"/> Black	F2 Chrome F3 Black F4 Earth F5 Copper F6 Brass F7 Bronze F8 Steel F10 Hammered Copper F11 White	<a href="#">View L2 Lumenate® Shade Choices</a> Select an inner shade and an outer shade. Keep in mind that the outer shade layer is opaque to enhance the inner color and/or graphics.		L411 - LED 1236 Delivered Lumens 21W 3000K Dimming: 0-10V 1% UNV or 120V Phase  Please contact customer service for component specifications, including additional color temperatures.	
<input type="checkbox"/> White					

## + OPTIONS

### SUSPENSION OPTIONS

- STM** - Field Cuttable Ball Swivel Stem with 1.78" deep canopy. Specify length in 1" increments.
- CXX3** - Cord Extra (Specify length)
- CXS3** - Cord Braided Silver (not LED)
- A200** - Wall Mount Arc 34"

### CANOPY OPTIONS

- CAC** - Canopy Alternative Color
- CF105** - Flair Canopy 10.5" Dia.
- C66** - Square Canopy 6"
- C1010** - Square Canopy 10"
- CLUSTER CANOPIES** - See website for a variety of sizes and options. Specify arrangement and heights.

### LED OPTIONS

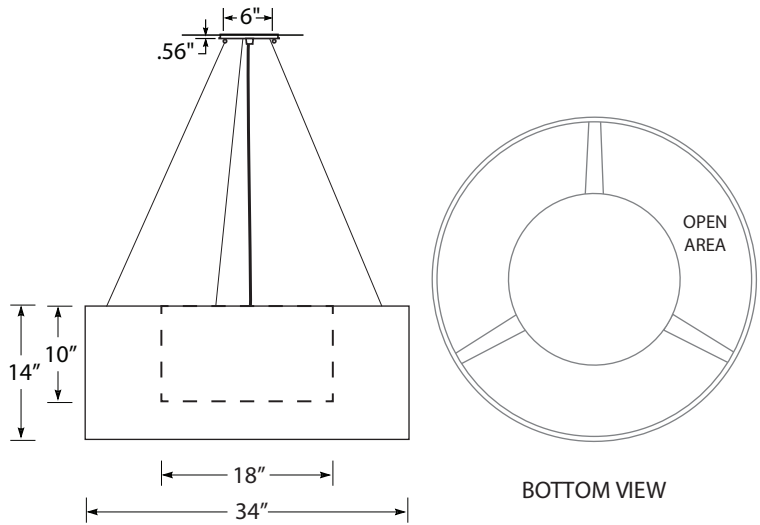
- EMR** - Remote Emergency Battery Backup Requires Stem or 2 Power Cords

Project Name	Specifier Name & Location	Quantity
<input type="text"/>	<input type="text"/>	<input type="text"/>



Notes

# Drum L2 34" Pendant P53414L2



- Welded Steel/Aluminum/Acrylic
  - Two Shades
  - White Lamp Enclosure
  - 6' Black or White Cord
  - Three Suspension Cables
  - Canopy finished to match frame
  - Mounts to standard J-box
  - Suitable for damp locations
- Weight: 18 lbs

US LISTED  
MADE IN USA

<b>P53414L2</b>		outer	inner		
<b>CORD COLOR</b>	<b>FINISH</b>	<b>SHADES</b>		<b>LAMPING</b>	
<input type="checkbox"/> Black	F2 Chrome F3 Black F4 Earth F5 Copper F6 Brass F7 Bronze F8 Steel F10 Hammered Copper F11 White	<a href="#">View L2 Lumenate® Shade Choices</a> Select an inner shade and an outer shade. Keep in mind that the outer shade layer is opaque to enhance the inner color and/or graphics.		L411 - LED 1598 Delivered Lumens 21W 3000K Dimming: 0-10V 1% UNV or 120V Phase  Please contact customer service for component specifications, including additional color temperatures.	
<input type="checkbox"/> White					

## + OPTIONS

### SUSPENSION OPTIONS

- STM** - Field Cuttable Ball Swivel Stem with 1.78" deep canopy. Specify length in 1' increments.
- CXX3** - Cord Extra (Specify length)
- CXS3** - Cord Braided Silver (not LED)
- A200** - Wall Mount Arc 34"

### CANOPIE OPTIONS

- CAC** - Canopy Alternative Color
- CF105** - Flair Canopy 10.5" Dia.
- C66** - Square Canopy 6"
- C1010** - Square Canopy 10"
- CLUSTER CANOPIES** - See website for a variety of sizes and options. Specify arrangement and heights.

### LED OPTIONS

- EMR** - Remote Emergency Battery Backup Requires Stem or 2 Power Cords

Project Name	Specifier Name & Location	Quantity
<input type="text"/>	<input type="text"/>	<input type="text"/>



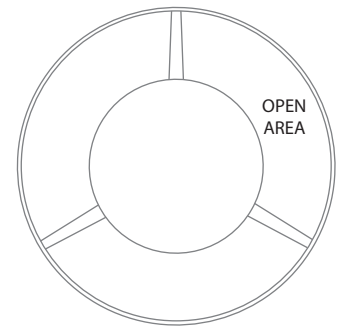
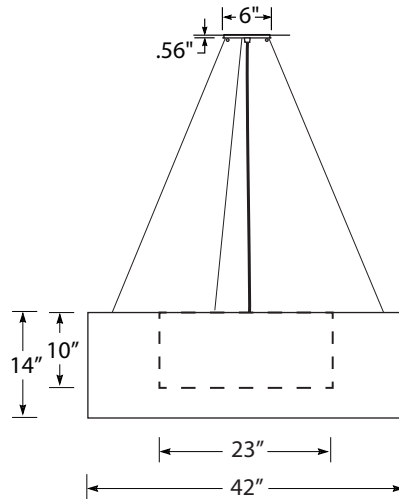
Notes

Lumetta Inc., 33 Minnesota Ave., Warwick, RI 02888 t 401-691-3994 f 401-921-1310 [www.lumetta.com](http://www.lumetta.com)

This design is the intellectual property of Lumetta, Inc. All rights reserved. Specifications are subject to change without notice.

# Drum L2 42" Pendant P54214L2

Design modifications are always welcome.



BOTTOM VIEW

- Welded Steel/Aluminum/Acrylic
- Two Shades
- White Lamp Enclosure
- 6' Black or White Cord
- Three Suspension Cables
- Canopy finished to match frame
- Mounts to standard J-box
- Suitable for damp locations

Weight: 26 lbs

 US LISTED  
MADE IN USA

<b>P54214L2</b>		outer	inner		
<b>CORD COLOR</b>	<b>FINISH</b>	<b>SHADES</b>		<b>LAMPING</b>	
<input type="checkbox"/> Black	F2 Chrome F3 Black F4 Earth F5 Copper F6 Brass F7 Bronze F8 Steel F10 Hammered Copper F11 White	<a href="#">View L2 Lumenate® Shade Choices</a> Select an inner shade and an outer shade. Keep in mind that the outer shade layer is opaque to enhance the inner color and/or graphics.		L412 - LED 4280 Initial Lumens 42 W 3000K Dimming: 0-10V 1% UNV or 120V Phase L413 - LED 4758 Delivered Lumens 63 W 3000K Dimming: 0-10V 1% UNV or 120V Phase  Please contact customer service for component specifications, including additional color temperatures.	

## + OPTIONS

### SUSPENSION OPTIONS

- STM** - Field Cuttable Ball Swivel Stem with 1.78" deep canopy. Specify length in 1' increments.
- CXX3** - Cord Extra (Specify length)
- CXS3** - Cord Braided Silver (not LED)

### CANOPY OPTIONS

- CAC** - Canopy Alternative Color
- CF105** - Flair Canopy 10.5" Dia.
- C66** - Square Canopy 6"
- C1010** - Square Canopy 10"
- CLUSTER CANOPIES** - See website for a variety of sizes and options. Specify arrangement and heights.

### LED OPTIONS

- EMR** - Remote Emergency Battery Backup Requires Stem or 2 Power Cords

Project Name	Specifier Name & Location	Quantity
<input type="text"/>	<input type="text"/>	<input type="text"/>



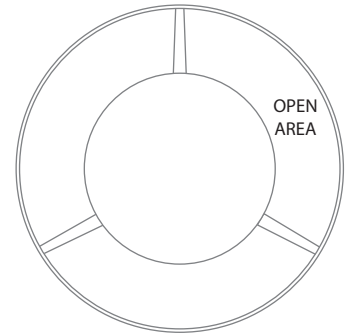
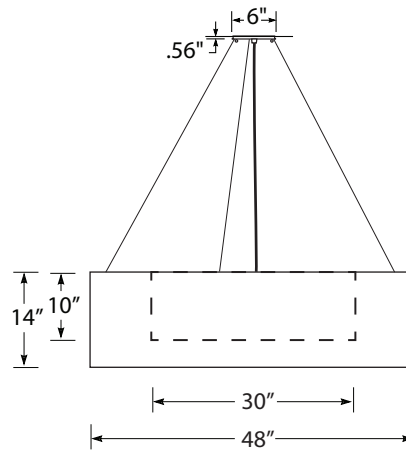
Notes

Lumetta Inc., 33 Minnesota Ave., Warwick, RI 02888 t 401-691-3994 f 401-921-1310 [www.lumetta.com](http://www.lumetta.com)

This design is the intellectual property of Lumetta, Inc. All rights reserved. Specifications are subject to change without notice.

# Drum L2 48" Pendant P54814L2

Design modifications are always welcome.



BOTTOM VIEW

- Welded Steel/Aluminum/Acrylic Weight: 37 lbs
- Two Shades
- White Lamp Enclosure
- 6' Black or White Cord
- Three Suspension Cables
- Canopy finished to match frame
- Mounts to standard J-box
- Suitable for damp locations

 US LISTED  
MADE IN USA

<b>P54814L2</b>		outer	inner		
<b>CORD COLOR</b>	<b>FINISH</b>	<b>SHADES</b>		<b>LAMPING</b>	
<input type="checkbox"/> Black	F2 Chrome F3 Black F4 Earth F5 Copper F6 Brass F7 Bronze F8 Steel F10 Hammered Copper F11 White	<a href="#">View L2 Lumenate® Shade Choices</a> Select an inner shade and an outer shade. Keep in mind that the outer shade layer is opaque to enhance the inner color and/or graphics.		L412 - LED 4280 Initial Lumens 42 W 3000K Dimming: 0-10V 1% UNV or 120V Phase L413 - LED 5171 Delivered Lumens 63 W 3000K Dimming: 0-10V 1% UNV or 120V Phase  Please contact customer service for component specifications, including additional color temperatures.	

## + OPTIONS

### SUSPENSION OPTIONS

- STM** - Field Cuttable Ball Swivel Stem with 1.78" deep canopy. Specify length in 1' increments.
- CXX3** - Cord Extra (Specify length)
- CXS3** - Cord Braided Silver (not LED)

### CANOPY OPTIONS

- CAC** - Canopy Alternative Color
- CF105** - Flair Canopy 10.5" Dia.
- C66** - Square Canopy 6"
- C1010** - Square Canopy 10"
- CLUSTER CANOPIES** - See website for a variety of sizes and options. Specify arrangement and heights.

### LED OPTIONS

- EMR** - Remote Emergency Battery Backup Requires Stem or 2 Power Cords

Project Name	Specifier Name & Location	Quantity
<input type="text"/>	<input type="text"/>	<input type="text"/>



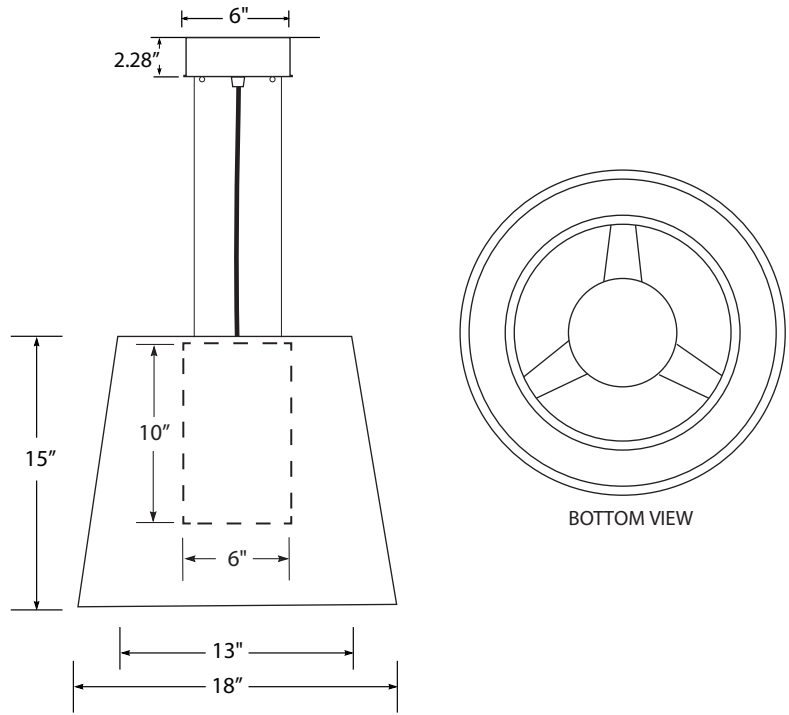
Notes

Lumetta Inc., 33 Minnesota Ave., Warwick, RI 02888 t 401-691-3994 f 401-921-1310 [www.lumetta.com](http://www.lumetta.com)

This design is the intellectual property of Lumetta, Inc. All rights reserved. Specifications are subject to change without notice.

# Taper 18" L2 Pendant PT1815L2

Design modifications are always welcome.



- Welded Steel/Aluminum/Acrylic Weight: 6 lbs
- Two Shades
- White Lamp Enclosure
- 6' Black or White Cord
- Two Suspension Cables
- Canopy finished to match frame
- Mounts to standard J-box
- Suitable for damp locations

US LISTED  
MADE IN USA

<b>PT1815L2</b>		outer	inner			
<b>CORD COLOR</b>	<b>FINISH</b>	<b>SHADES</b>		<b>LAMPING</b>		
<input type="checkbox"/> Black	F2 Chrome F3 Black F4 Earth F5 Copper F6 Brass F7 Bronze F8 Steel F10 Hammered Copper F11 White	<a href="#">View L2 Lumenate® Shade Choices</a> Select an inner shade and an outer shade. Keep in mind that the outer shade layer is opaque to enhance the inner color and/or graphics.		L411 - LED 1127 Delivered Lumens 21W 3000K Dimming: 0-10V 1% UNV or 120V Phase		
<input type="checkbox"/> White				INC 1/Med. Base	<b>VOLTAGE</b>	
					120V 277V	

## + OPTIONS

### SUSPENSION OPTIONS

**STM** - Field Cuttable Ball Swivel Stem with 1.78" deep canopy.  
*Specify length in 1' increments.*

**CXX2** - Cord Extra (*Specify length*)

**CXS2** - Cord Braided Silver

**A200** - Wall Mount Arc 34"

**B200** - Wall Mount Linear 18"

### CANOPY OPTIONS

**CAC** - Canopy Alternative Color

**CF105** - Flair Canopy 10.5" Dia.

**C66** - Square Canopy 6"

**C1010** - Square Canopy 10"

**CLUSTER CANOPIES** - See website for a variety of sizes and options.  
*Specify arrangement and heights.*

*NOTE: All canopy options for LED requires a custom 2.28" height.*

### LED OPTIONS

**EMR** - Remote Emergency Battery Backup  
*Requires Stem or 2 Power Cords*

Project Name

Specifier Name & Location

Quantity

Notes

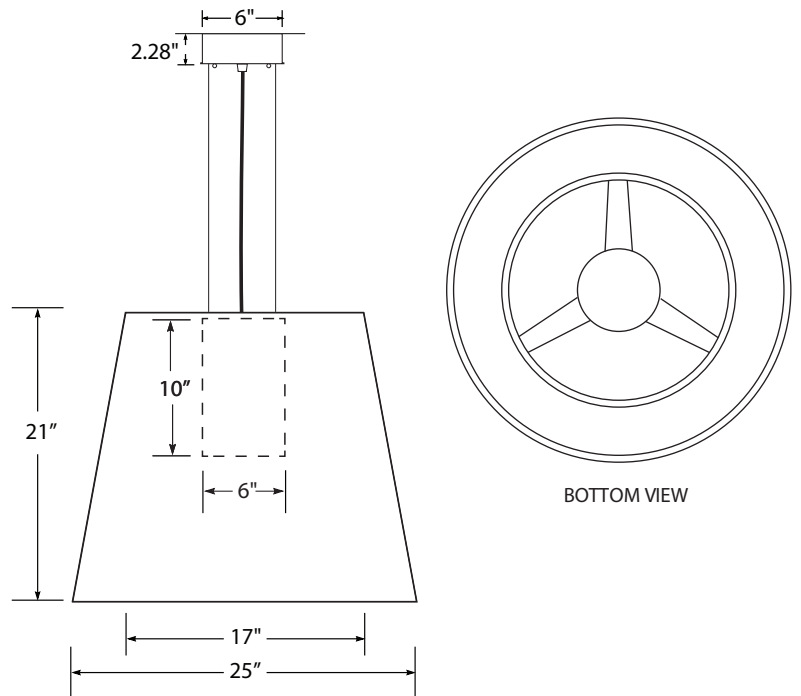


Lumetta Inc., 33 Minnesota Ave., Warwick, RI 02888 t 401-691-3994 f 401-921-1310 [www.lumetta.com](http://www.lumetta.com)

This design is the intellectual property of Lumetta, Inc. All rights reserved. Specifications are subject to change without notice.

# Taper 25" L2 Pendant PT2521L2

Design modifications are always welcome.



- Welded Steel/Aluminum/Acrylic
  - Two Shades
  - White Lamp Enclosure
  - 6' Black or White Cord
  - Two Suspension Cables
  - Canopy finished to match frame
  - Mounts to standard J-box
  - Suitable for damp locations
- Weight: 8 lbs

 US LISTED  
MADE IN USA

<b>PT2521L2</b>		outer	inner			
<b>CORD COLOR</b>	<b>FINISH</b>	<b>SHADES</b>		<b>LAMPING</b>		
<input type="checkbox"/> Black	F2 Chrome F3 Black F4 Earth F5 Copper F6 Brass F7 Bronze F8 Steel F10 Hammered Copper F11 White	<a href="#">View L2 Lumenate® Shade Choices</a> Select an inner shade and an outer shade. Keep in mind that the outer shade layer is opaque to enhance the inner color and/or graphics.		L411 - LED 1154 Delivered Lumens 21W 3000K Dimming: 0-10V 1% UNV or 120V Phase  Please contact customer service for component specifications, including additional color temperatures.		
<input type="checkbox"/> White				INC 1/Med. Base	<b>VOLTAGE</b> 120V 277V	

## + OPTIONS

### SUSPENSION OPTIONS

- STM** - Field Cuttable Ball Swivel Stem with 1.78" deep canopy. *Specify length in 1' increments.*
- CXX2** - Cord Extra (*Specify length*)
- CXS2** - Cord Braided Silver
- A200** - Wall Mount Arc 34"

### CANOPY OPTIONS

- CAC** - Canopy Alternative Color
  - CF105** - Flair Canopy 10.5" Dia.
  - C66** - Square Canopy 6"
  - C1010** - Square Canopy 10"
  - CLUSTER CANOPIES** - See website for a variety of sizes and options. *Specify arrangement and heights.*
- NOTE: All canopy options for LED requires a custom 2.28" height.*

### LED OPTIONS

- EMR** - Remote Emergency Battery Backup *Requires Stem or 2 Power Cords*

Project Name	Specifier Name & Location	Quantity
<input type="text"/>	<input type="text"/>	<input type="text"/>



Notes

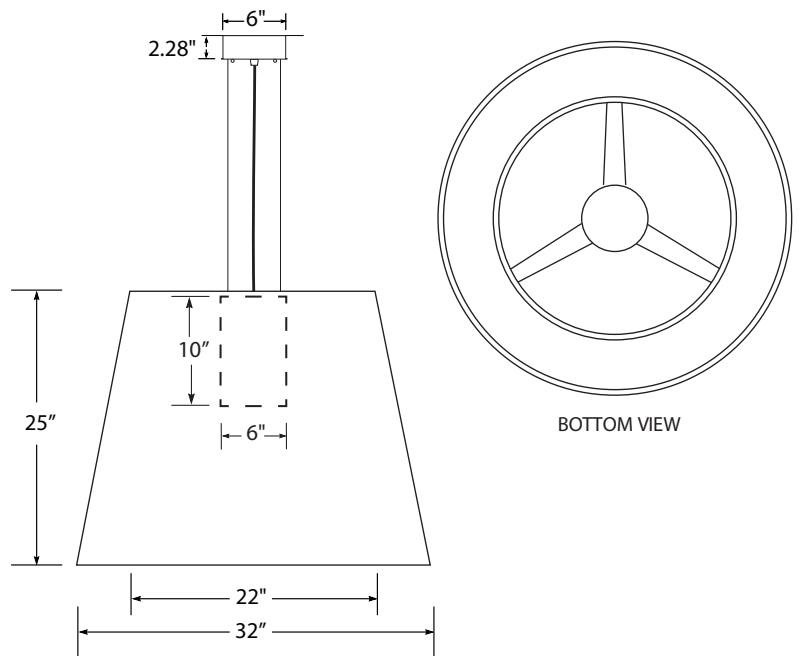
Lumetta Inc., 33 Minnesota Ave., Warwick, RI 02888 t 401-691-3994 f 401-921-1310 [www.lumetta.com](http://www.lumetta.com)

This design is the intellectual property of Lumetta, Inc. All rights reserved. Specifications are subject to change without notice.



# Taper 32" L2 Pendant PT3225L2

Design modifications are always welcome.



- Welded Steel/Aluminum/Acrylic Weight: 11 lbs
- Two Shades
- White Lamp Enclosure
- 6' Black or White Cord
- Two Suspension Cables
- Canopy finished to match frame
- Mounts to standard J-box
- Suitable for damp locations

 US LISTED  
MADE IN USA

<b>PT3225L2</b>		outer	inner			
<b>CORD COLOR</b>	<b>FINISH</b>	<b>SHADES</b>		<b>LAMPING</b>		
<input type="checkbox"/> Black	F2 Chrome F3 Black F4 Earth F5 Copper F6 Brass F7 Bronze F8 Steel F10 Hammered Copper F11 White	<a href="#">View L2 Lumenate® Shade Choices</a> Select an inner shade and an outer shade. Keep in mind that the outer shade layer is opaque to enhance the inner color and/or graphics.		L411 - LED 1210 Delivered Lumens 21W 3000K Dimming: 0-10V 1% UNV or 120V Phase		
<input type="checkbox"/> White				INC 1/Med. Base	<b>VOLTAGE</b>	
					120V 277V	

## + OPTIONS

### SUSPENSION OPTIONS

- STM** - Field Cuttable Ball Swivel Stem with 1.78" deep canopy. Specify length in 1' increments.
- CXX2** - Cord Extra (Specify length)
- CXS2** - Cord Braided Silver
- A200** - Wall Mount Arc 34"

### CANOPY OPTIONS

- CAC** - Canopy Alternative Color
  - CF105** - Flair Canopy 10.5" Dia.
  - C66** - Square Canopy 6"
  - C1010** - Square Canopy 10"
  - CLUSTER CANOPIES** - See website for a variety of sizes and options. Specify arrangement and heights.
- NOTE: All canopy options for LED requires a custom 2.28" height.*

### LED OPTIONS

- EMR** - Remote Emergency Battery Backup Requires Stem or 2 Power Cords

Project Name	Specifier Name & Location	Quantity
<input type="text"/>	<input type="text"/>	<input type="text"/>



Notes

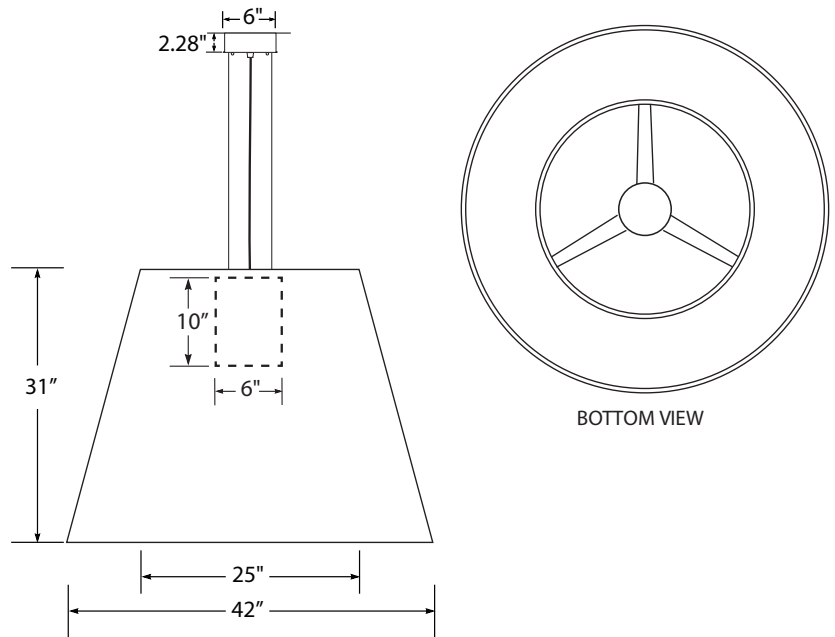
Lumetta Inc., 33 Minnesota Ave., Warwick, RI 02888 t 401-691-3994 f 401-921-1310 [www.lumetta.com](http://www.lumetta.com)

This design is the intellectual property of Lumetta, Inc. All rights reserved. Specifications are subject to change without notice.



# Taper 42" L2 Pendant PT4231L2

Design modifications are always welcome.



- Welded Steel/Aluminum/Acrylic Weight: 12 lbs
- Two Shades
- White Lamp Enclosure
- 6' Black or White Cord
- Two Suspension Cables
- Canopy finished to match frame
- Mounts to standard J-box
- Suitable for damp locations

US LISTED  
MADE IN USA

<b>PT4231L2</b>		outer	inner			
<b>CORD COLOR</b>	<b>FINISH</b>	<b>SHADES</b>		<b>LAMPING</b>		
<input type="checkbox"/> Black	F2 Chrome F3 Black F4 Earth F5 Copper F6 Brass F7 Bronze F8 Steel F10 Hammered Copper F11 White	<a href="#">View L2 Lumenate® Shade Choices</a> Select an inner shade and an outer shade. Keep in mind that the outer shade layer is opaque to enhance the inner color and/or graphics.		L411 - LED 1190 Delivered Lumens 21W 3000K Dimming: 0-10V 1% UNV or 120V Phase		
<input type="checkbox"/> White				INC 1/Med. Base	<b>VOLTAGE</b>	
					120V 277V	

## + OPTIONS

### SUSPENSION OPTIONS

- STM** - Field Cuttable Ball Swivel Stem with 1.78" deep canopy. Specify length in 1' increments.
- CXX2** - Cord Extra (Specify length)
- CXS2** - Cord Braided Silver

### CANOPY OPTIONS

- CAC** - Canopy Alternative Color
  - CF105** - Flair Canopy 10.5" Dia.
  - C66** - Square Canopy 6"
  - C1010** - Square Canopy 10"
  - CLUSTER CANOPIES** - See website for a variety of sizes and options. Specify arrangement and heights.
- NOTE: All canopy options for LED requires a custom 2.28" height.*

### LED OPTIONS

- EMR** - Remote Emergency Battery Backup Requires Stem or 2 Power Cords

Project Name	Specifier Name & Location	Quantity
<input type="text"/>	<input type="text"/>	<input type="text"/>



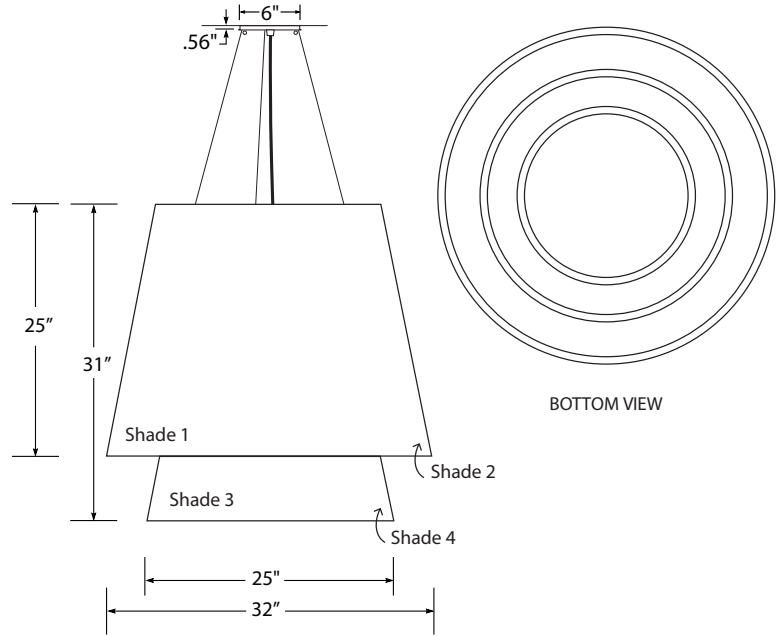
Notes

Lumetta Inc., 33 Minnesota Ave., Warwick, RI 02888 t 401-691-3994 f 401-921-1310 [www.lumetta.com](http://www.lumetta.com)

This design is the intellectual property of Lumetta, Inc. All rights reserved. Specifications are subject to change without notice.

# Taper Nested L2 32" Pendant PTN3231L2

Design modifications are always welcome.



- Welded Steel/Aluminum/Acrylic Weight: 18 lbs
- Four Shade Surfaces
- 6' Black or White Cord
- Three suspension cables
- Canopy finished to match frame
- Mounts to standard J-box
- Suitable for damp locations

US LISTED  
MADE IN USA

PTN3231L2		shade 1 shade 2 shade 3 shade 4				LAMPING	
<b>CORD COLOR</b>		<b>FINISH</b>				<b>LAMPING</b>	
<input type="checkbox"/> Black	<input type="checkbox"/> White	F2 Chrome F3 Black F4 Earth F5 Copper F6 Brass F7 Bronze F8 Steel F10 Hammered Copper F11 White				L411 - LED 1210 Delivered Lumens 21W 3000K Dimming: 0-10V 1% UNV or 120V Phase  Please contact customer service for component specifications, including additional color temperatures.	
		<b>SHADES</b>					
		<a href="#">View L2 Lumenate® Shade Choices</a> Select four opaque shades. Keep in mind that the outer shade layers are opaque to enhance inner colors and/or graphics.					

## + OPTIONS

### SUSPENSION OPTIONS

**STM** - Field Cuttable Ball Swivel Stem with 1.78" deep canopy.  
Specify length in 1' increments.

**CXX3** - Cord Extra (Specify length)

**CXS3** - Cord Braided Silver (not LED)

**A200** - Wall Mount Arc 34"

### CANOPY OPTIONS

**CAC** - Canopy Alternative Color

**CF105** - Flair Canopy 10.5" Dia.

**C66** - Square Canopy 6"

**C1010** - Square Canopy 10"

**CLUSTER CANOPIES** - See website

for a variety of sizes and options.

Specify arrangement and heights.

### LED OPTIONS

**EMR** - Remote Emergency Battery Backup

Requires Stem or 2 Power Cords

Project Name

Specifier Name & Location

Quantity

Notes



Lumetta Inc., 33 Minnesota Ave., Warwick, RI 02888 t 401-691-3994 f 401-921-1310 [www.lumetta.com](http://www.lumetta.com)

This design is the intellectual property of Lumetta, Inc. All rights reserved. Specifications are subject to change without notice.